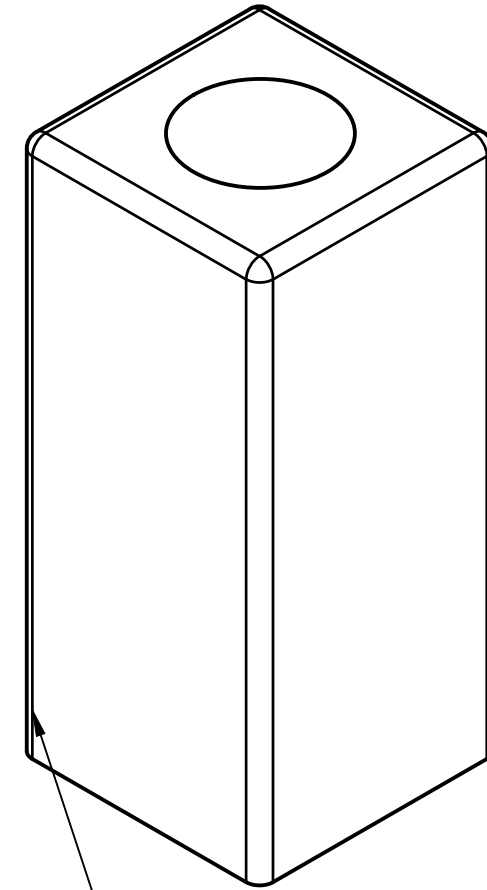
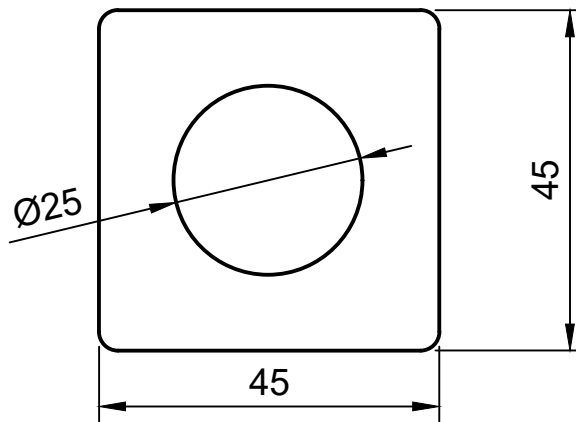
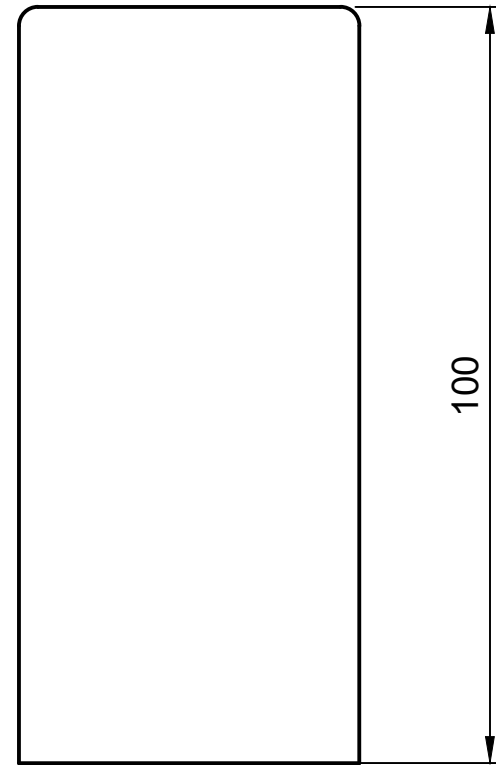
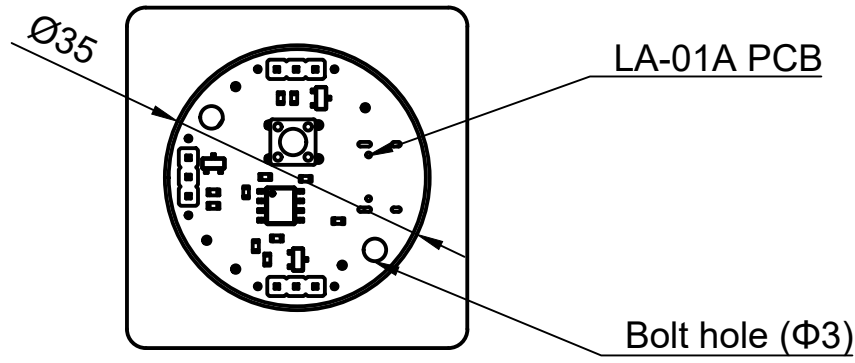
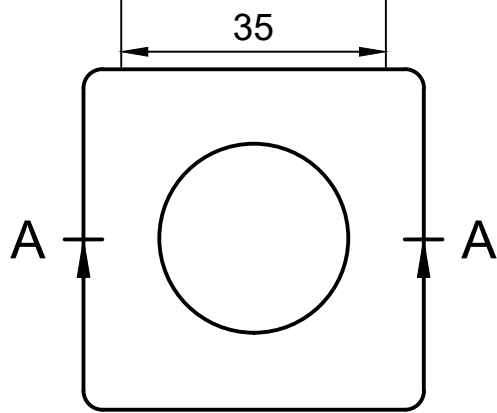
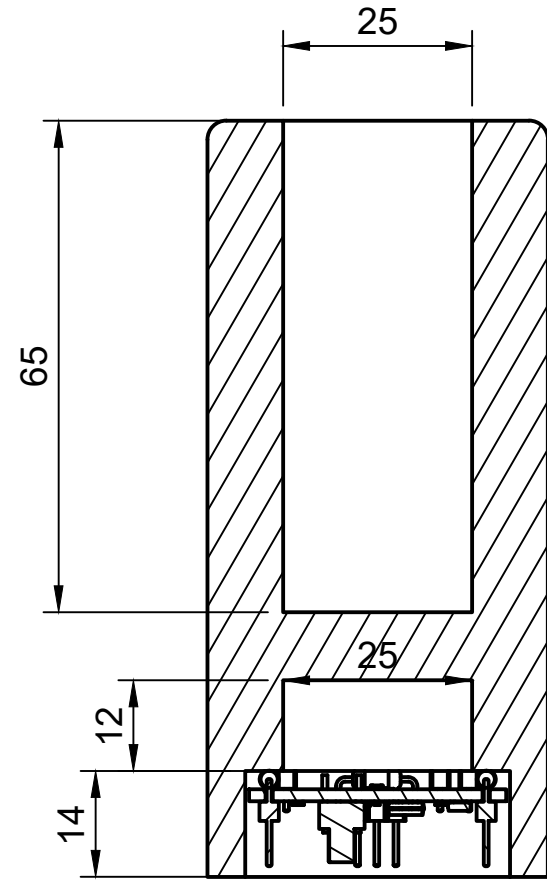


A-A (1:1)



Material ; Wood (Hinoki,sakura,sugi)

Dept. wood	Technical reference Case	Created by Shintaro Okazaki 2021/06/01	Approved by hiiragikoubou.com 21/06/01
		Document type pdf	Document status 1X
		Title LA-01A	DWG No. 2106-001
Rev. 1	Date of issue 2021.6.1	Sheet 1/1	